

# NCS166

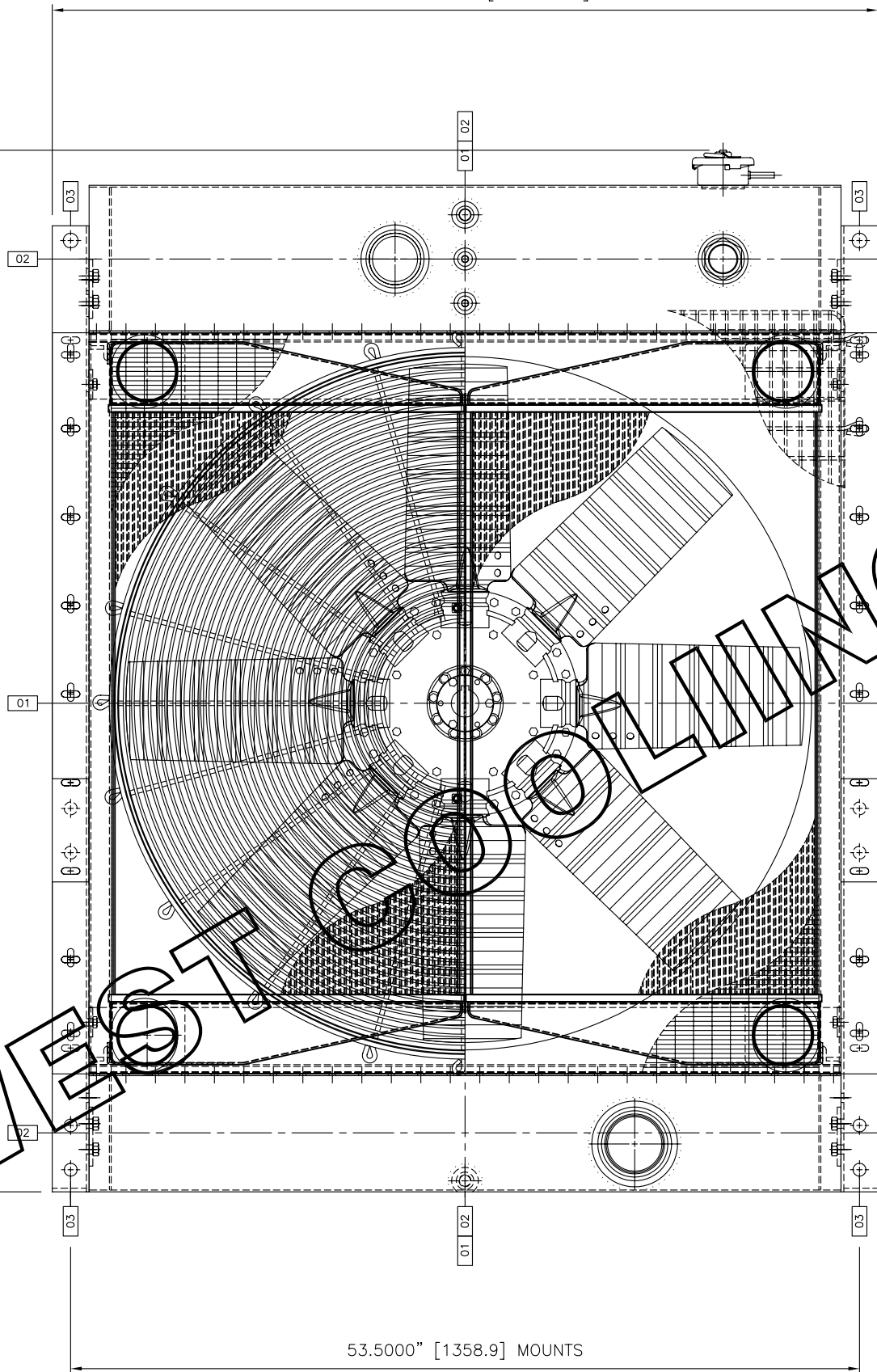
56.0000" ±0.1250" [1422.4±3.2]

20.9312" ±0.1250" [531.7±3.2]

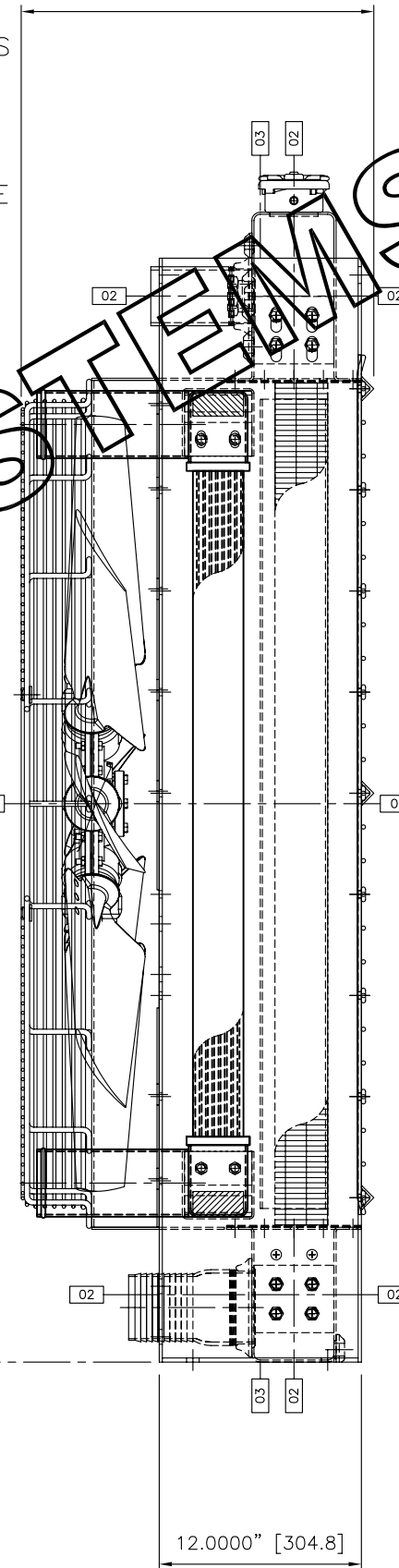
70.6264" ±0.1250" [1793.9±3.2]

NOTE:  
 FITTING ARRANGEMENTS ARE FOR ILLUSTRATION PURPOSES ONLY.  
 EACH COOLING PACKAGE IS BUILT-TO-SUIT FOR YOUR SPECIFIC APPLICATION. MODIFICATIONS CAN BE MADE TO ACCOMMODATE YOUR INDIVIDUAL REQUIREMENTS.

# NORWEST COOLING SYSTEMS INC.



FRONT (FAN SIDE) ELEVATION



SIDE ELEVATION

~33.1264" ±0.1250" [841.4±3.2] TO FAN CENTRE

53.5000" [1358.9] MOUNTS

12.0000" [304.8]

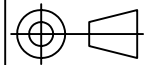
DO NOT SCALE DRAWING

APPROVED BY:

01	CENTRELINE OF IMPELLER
02	CENTRELINE OF RADIATOR TANKS
02A	CENTRELINE OF JWC RADIATOR TANKS
02B	CENTRELINE OF AWC RADIATOR TANKS
03	CENTRELINE OF SIDERAILS

ALL DIMENSIONS ARE IN INCHES (±1/8) UNLESS OTHERWISE SPECIFIED. DIMENSIONS IN [BRACKETS] ARE IN MILLIMETRES (±3)

PROJECT METHOD:



THIRD ANGLE PROJECTION

STANDARDS:

ISO 128  
 ISO 129  
 BS 8888

REVISION: B

REVISION: A

REV.	DATE	BY	DESCRIPTION
0	-	-	-
0	-	-	-
0	-	-	-

**IMPORTANT NOTICE:**  
 © COPYRIGHT 1999-2007 NORWEST COOLING SYSTEMS INC. THIS CAD DRAWING AND ANY INFORMATION ON THIS PAGE IS STRICTLY CONFIDENTIAL AND CONTAINS PRIVILEGED AND/OR COPYRIGHT INFORMATION, AND IS THE EXCLUSIVE PROPERTY OF NORWEST COOLING SYSTEMS INC. YOU MUST NOT PRESENT THIS PAGE AND/OR THIS INFORMATION TO ANOTHER PARTY WITHOUT FIRST GAINING PERMISSION FROM NORWEST COOLING SYSTEMS INC. IF YOU ARE NOT THE INTENDED RECIPIENT YOU MUST NOT COPY, DISTRIBUTE OR USE THIS PAGE OR THE INFORMATION CONTAINED ON IT FOR ANY PURPOSE OTHER THAN TO NOTIFY US. IF YOU HAVE RECEIVED THIS DRAWING IN ERROR, PLEASE NOTIFY THE SENDER IMMEDIATELY AND DESTROY THIS PAGE.



**NORWEST COOLING SYSTEMS INC.**  
 8247 DAVIES ROAD, NW EDMONTON, ALBERTA T6E 4N1 CANADA  
 PHONE: 780-466-8742 FAX: 780-466-6352

TITLE: NCS166  
 COOLING PACKAGE SAMPLE CAD DRAWING  
 DRAWN BY: BENNY KOPAT DATE: SEPTEMBER 2010  
 CHECKED BY: - SCALE: NTS - CUSTOM

CUSTOMER: NORWEST COOLING SYSTEMS INC.  
 DATE BUILT: -  
 NOTES: -  
 NOTES: -